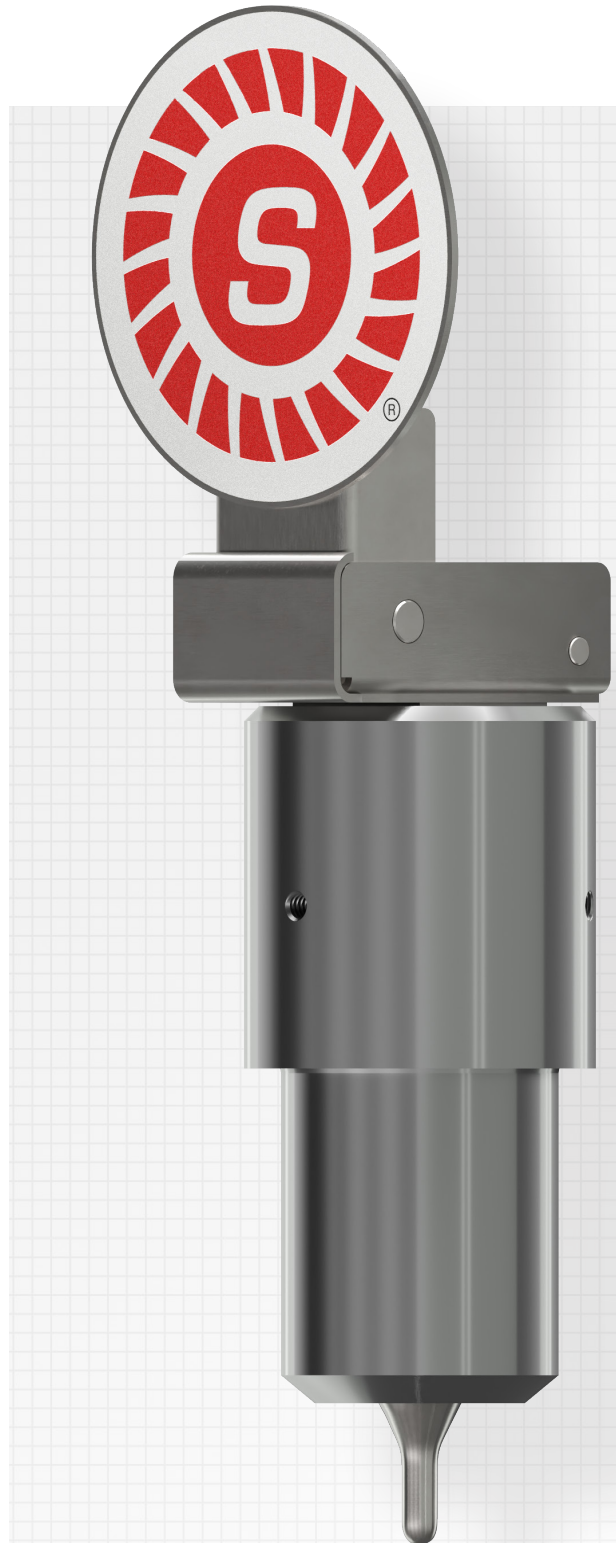
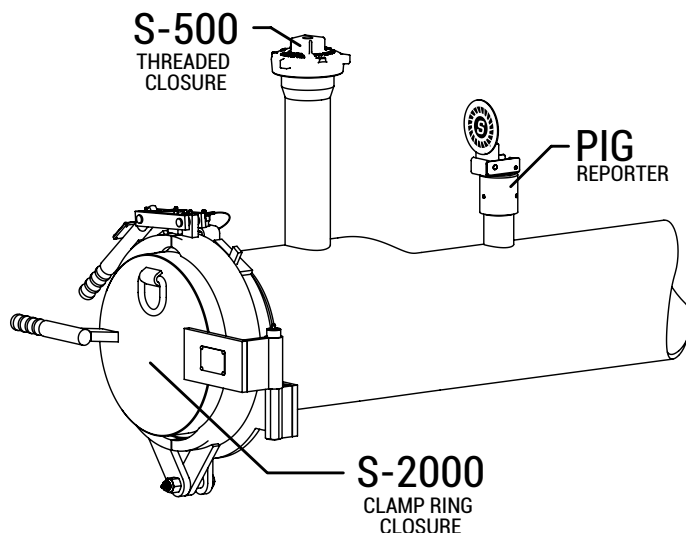


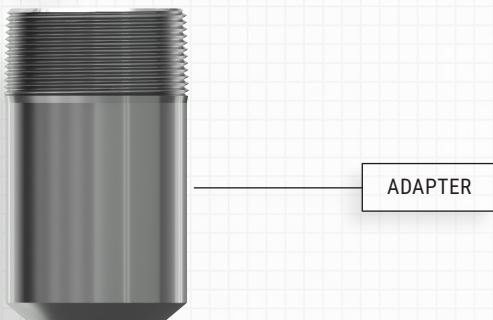
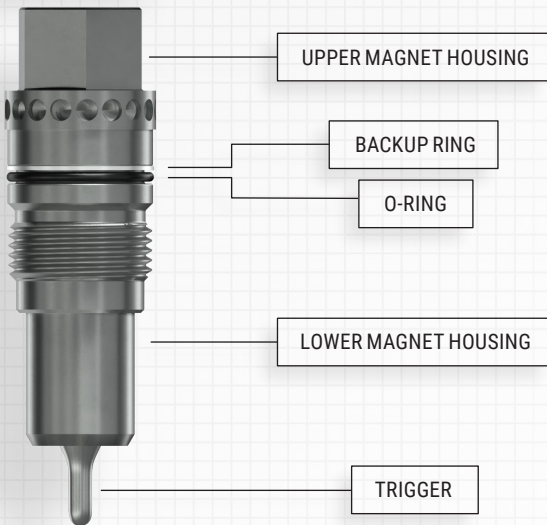
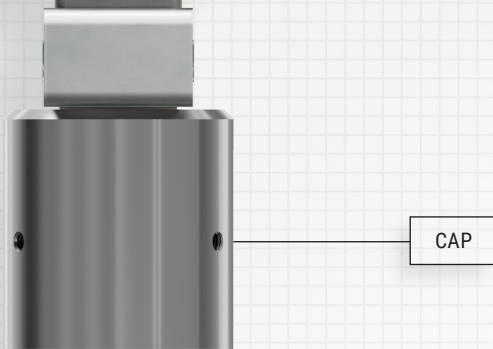
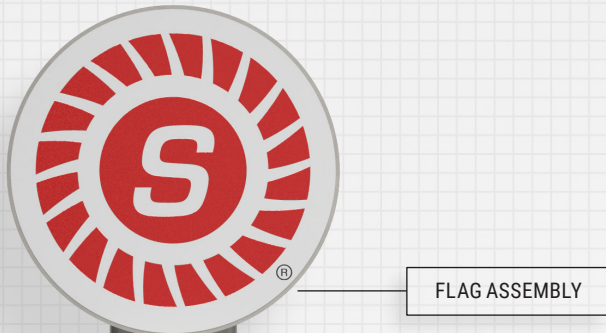
# PIG-REPORTER™

## STARK SOLUTIONS PIG-REPORTER™

The Pig-Reporter™ is an intrusive omni-directional pipeline passage indicator that notifies the operator when a pig, or pipeline cleaning tool, has cleared or passed through a section of the pipeline.

Designed in accordance with ASME B31.4/B31.8/Z662 Cat II, the Pig-Reporter™ is available for applications up to pressure series 1500 and is offered on all pipe, sizes 2" (DN50) and larger.





## MATERIALS:

### OPERATING COMPONENTS

Flag Assembly, Cap, Upper and Lower Magnet housing components are made from Stainless Steel material, to withstand harsh environments, whether internal or external to the pipeline.

### ADAPTER

ASTM A 333 Grade 6 material, suitable for -50F(-45C). Provided with Material Test Report. Consult factory for additional options.

## BENEFITS:

- Stainless Steel operating components
- Omni directional trigger
- Labyrinth system to assist in keeping debris/media from fouling magnet
- Machined upper magnet housing allows cap to be rotated and secured for flexibility of flag direction
- Reflective flag for visibility in low light environments

## STANDARDS:

- Manual Reset
- Viton O-Ring + Backup Ring
- Pressure series 150 to 1500
- Designed to ASME B31.4/B31.8/CSA Z662 Cat II
- Nace MR0175 compliant material
- -50 to 400F (-45 to 204C)

## OPTIONS:

- Flanged mounting
- Extensions
- Special materials and O-Rings

